



INSTALLATION MANUAL FOR SWING SHUTTERS



KAF212

INDEX

| Subject | Page |
|--|------|
| 1. General safety instruction | 2 |
| 1.1 EC marking and European directives | 2 |
| 2. Technical data | 3 |
| 3. Standard Installation | 3 |
| 4. Installation and start-up procedure | 5 |
| 5. Electrical connections | 6 |
| 5.1 General safety electrical precautions | 6 |
| 5.2 Single and centralized multilevel commands | 7 |
| 6. Troubleshooting | 8 |
| 7. Routine maintenance plan | 8 |
| 7.1 Disposal of products | 8 |

All data and information contained in this manual have been drawn up and checked with the greatest care. However FACE cannot take any responsibility for eventual errors, omissions or inaccuracies due to technical or illustrative purposes.

FACE reserves the right to make changes and improvements to their products. For this reason, the illustrations and the information appearing in this document are not definitive.

This edition of the manual cancels and replaces all previous versions. In case of modification will be issued a new edition.

1 AVVERTENZE GENERALI PER LA SICUREZZA

This installation manual is intended for professionally competent personnel only. Before installing the product, carefully read the instructions.

Bad installation could be hazardous. The packaging materials (plastic, polystyrene, etc.) should not be discarded in the environment or left within reach of children, as these are a potential source of hazard.

Before installing the product, make sure it is in perfect condition. Do not install the product in an explosive environment and atmosphere: gas or inflammable fumes are a serious hazard risk.

Before installing the automations, make all structural changes relating to safety clearances and protection or segregation of all areas where there is risk of being crushed, cut or dragged, and danger areas in general.



Make sure the existing structure is up to standard in terms of strength and stability. FACE is not responsible for failure to use Good Working Methods in building the frames to be motorised or for any deformation occurring during use.

1.2 MARCATURA CE E DIRETTIVE EUROPEE



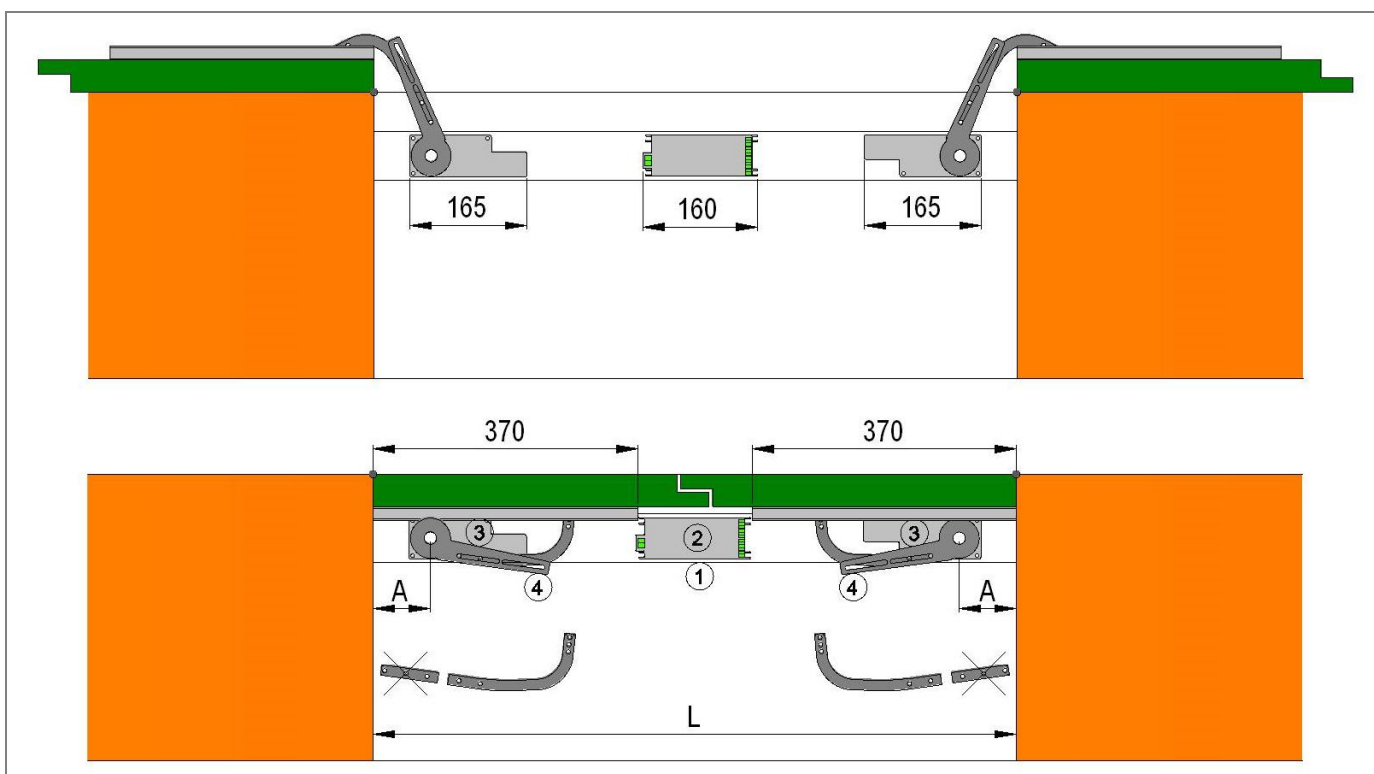
FACE automations are CE-marked designed and built in compliance with the requirements of the following European directives: Electromagnetic Compatibility Directive (2014/30/UE) and Low Voltage Directive (2014/35/UE).

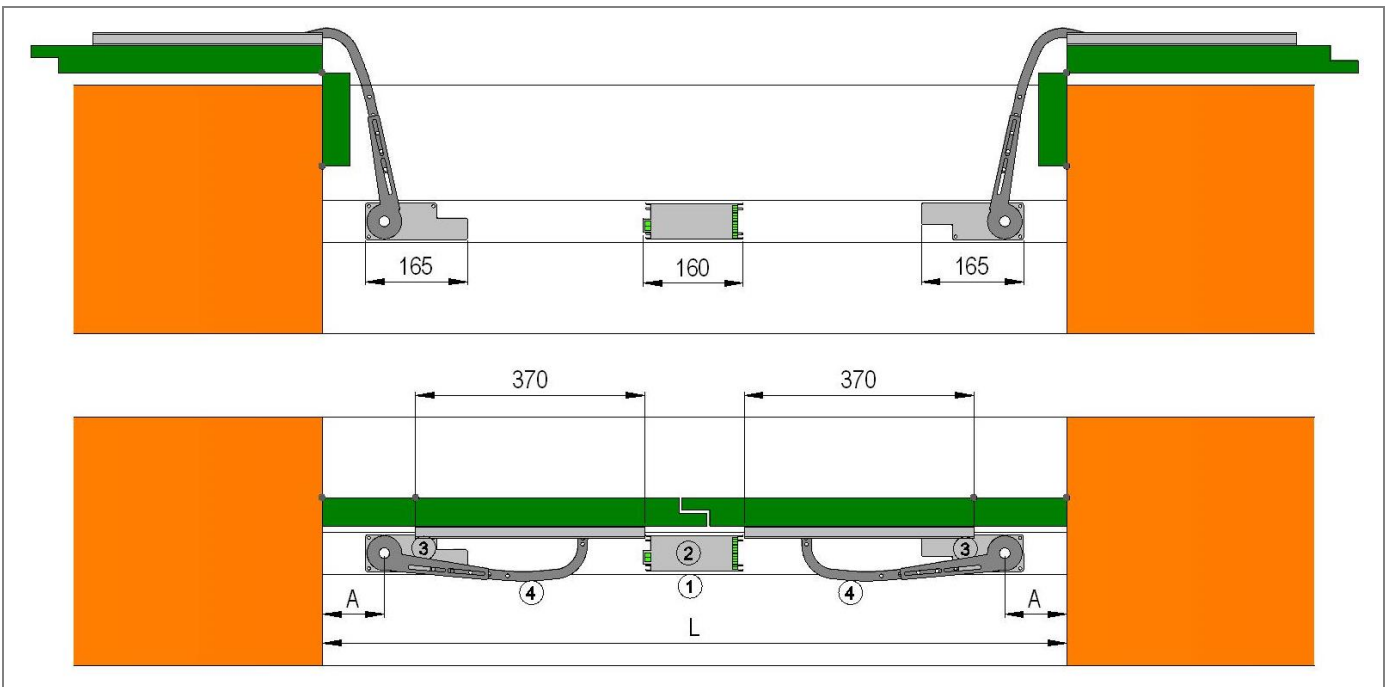
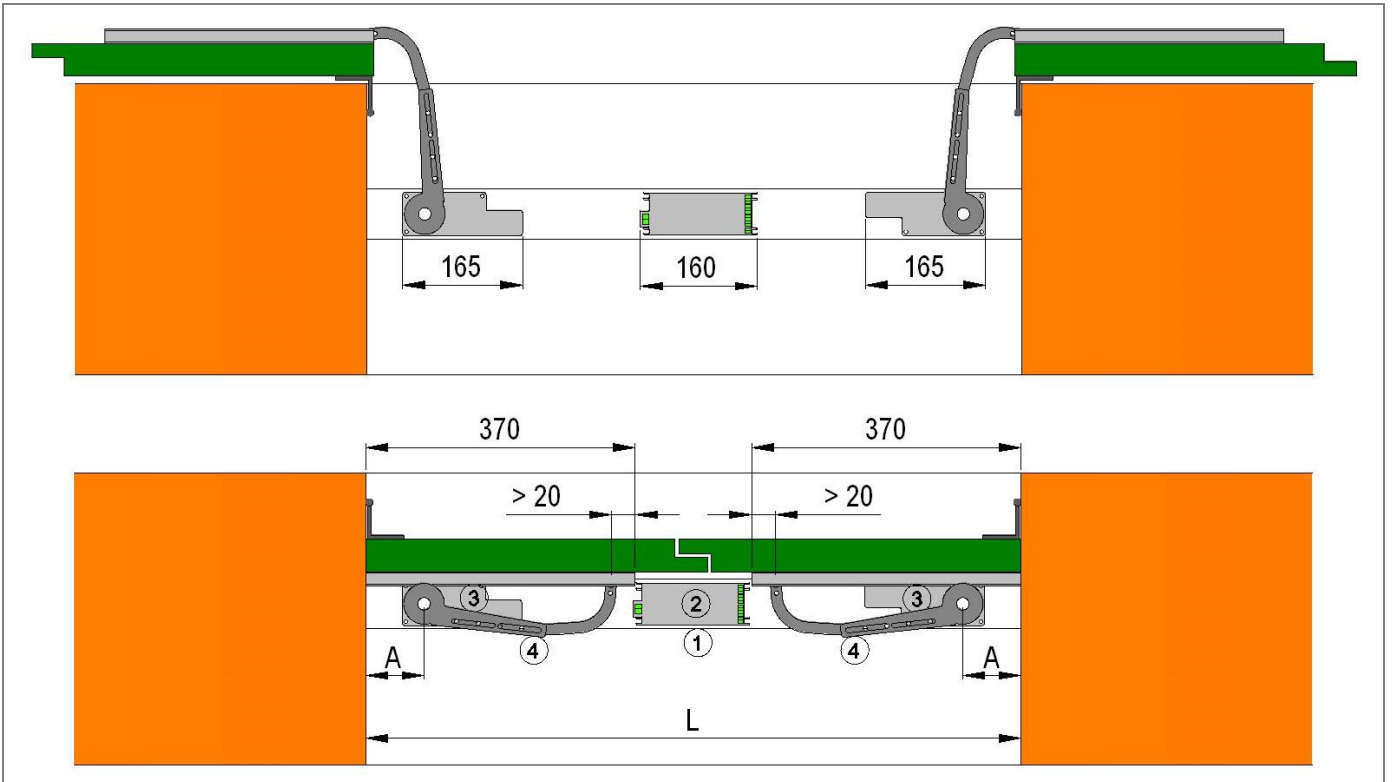
2. TECHNICAL DATA

| Features | KAF212 |
|--|---|
| Product dimensions: Height x Depth x Max lenght | 50 x 68 x 1200 mm |
| Maximum load: | 30 kg (1 leaf) / 60 kg (2 leaves) |
| Opening and closing speed | 12 s/180° |
| Duty class Intermittent operation | Light operation S3 = 15% |
| Power supply Rated power | 230 Vca 50/60 Hz 20 W |
| Rated load | 23 Nm |
| Protection Rating | IP 44 |
| Operating temperature |  -15 °C  +50 °C |
| Electrical connections | Dedicated connecting terminals |
| Power output for accessories | 12 Vcc / 100 mA |

3. STANDARD INSTALLATION

| Rif. | Code | Description |
|------|---------|--|
| 1 | K525A12 | Support profile and cover profile, anodized aluminum 1200 mm |
| 2 | AFQ | Electronic control |
| 3 | AFM | Gearmotor 12V |
| 4 | AFB1 | Articulated arm with sliding guide |





4. INSTALLATION AND START-UP PROCEDURE

4.1 Cut the aluminum profile to size L – 10 mm and fix it on the top, about 10 mm from the leaves in the closed position, by means of screws not supplied.

Note: insert the fixing nuts of the motors and the electronic controls within the aluminum profile.

Leave space on the side, for the passage of the power supply cable and the other cables.

4.2 Fix the sliding guide to the leaf of the shutter, as shown in figure 1.

4.3 Fix the electronic control in the middle, using the provided screws.

4.4 Fix 1 or 2 gearmotors on the side, using the provided screws.

4.5 Assemble the articulated arms (as indicated in the figure 2), and fix them to the gearmotors and to the sliding guide.

Note: do not tighten the screws, so as to enable the manual rotation of the articulated arms.

4.6 Move the (A) position of the gearmotors and adjust the length of the articulated arms, so as to get the correct opening and closing of leaves, as indicated in chapter 3 (if necessary, cut the excess part of the articulated arm).

After the adjustment, tighten all screws of gearmotors and articulated arms.

4.7 Make the electrical connections, as described in chapter 5.

4.8 After adjusting the correct position of the gearmotors, insert the side covers in correspondence with the articulated arm (as shown in figure 3).

Cut the aluminum cover to the size L – 330 mm and fix it centrally, so as to get the complete closing of the automation.

4.9 Give power supply.

Give opening and closing commands, and verify the correct operation and the correct overlapping of leaves.

Grease the pivot inside the sliding guide.

Note: verify that the fastening screw of the articulated arm to the gearmotor is tightened in such a way that, during operation, the motor force does not cause slippage of the articulated arm.

Also check that, in case of power supply failure, it is possible to move the leaves manually.

4.10 Manual handling of the leaves.

In case of power supply failure, if the leaves do not move manually, loosen the fastening screw of the articulated arm (as shown in the figure).

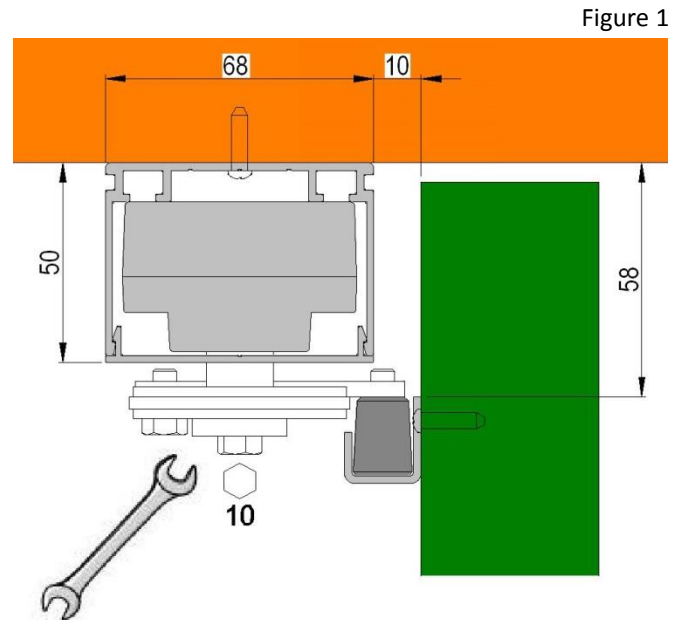


Figure 1

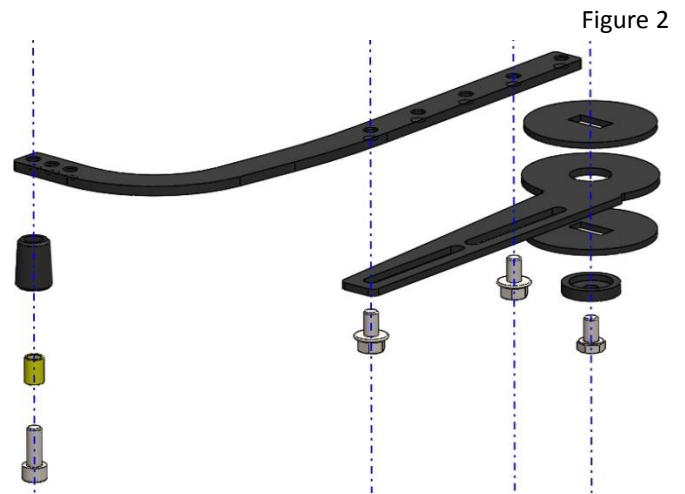


Figure 2

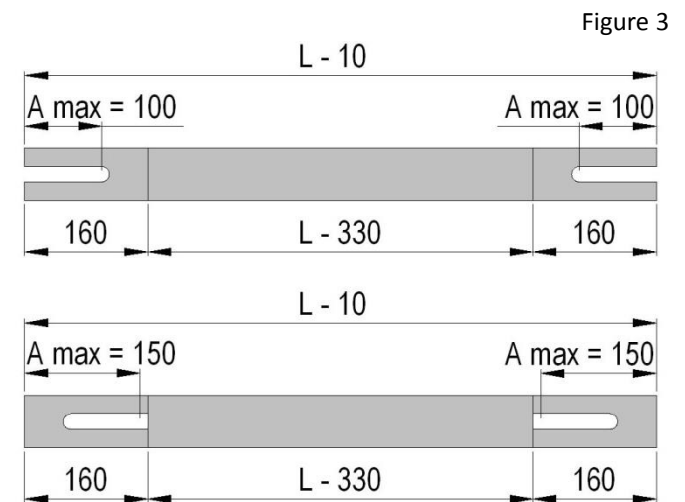
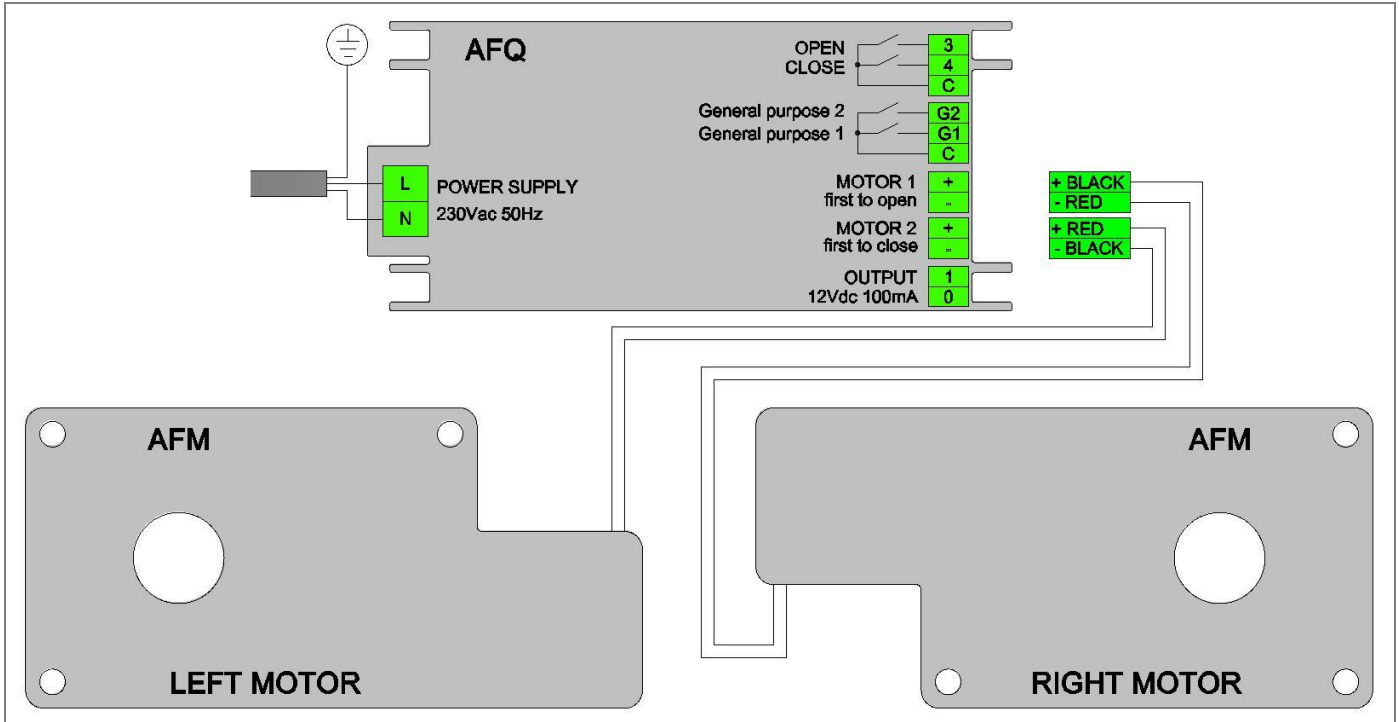



Figure 3

5. ELECTRICAL CONNECTIONS



Connect the red wire of the right motor to the negative terminal (-), and the red wire of the left motor to the positive terminal (+), as shown in figure.

| Terminals | Description |
|---|--|
| N / L  | Power supply input 230 Vac 50 Hz (by cable not supplied by us). Connect the ground wire to the aluminum profile using the supplied screw. |
| - / + Motor 1 | Motor 1 input, in the case of 2 leaves, connect the motor which opens first. Note: in the case of single leaf, the motor must be connected to the Motor 1 input. |
| - / + Motor 2 | Motor 2 input, in the case of 2 leaves, connect the motor which opens second. Note: in the case of single leaf, the motor must be connected to the Motor 1 input. |
| 0 – 1 (+12V) | Output 12 Vcc (max 100mA) for external powering accessories (for example a radio receiver). |
| C – 4 | Closing contact N.O. |
| C – 3 | Opening contact N.O. Note: a further contact performs partial opening. |
| C – G1 | General closing contact N.O.; with a single command you can close all automations connected. |
| C – G2 | General opening contact N.O.; with a single command you can open all automations connected. |

5.1 GENERAL SAFETY ELECTRICAL PRECAUTIONS

Installation, electrical connections and adjustments must be completed in conformity with Good Working Methods and with regulations in force.

Before making power connections, check that the rating corresponds to that of the mains supply. A multipolar disconnection switch with a contact opening gap of at least 3 mm must be included in the mains supply. This switch must be protected from unauthorized activations. Check that upstream of the electrical installation an adequate residual current circuit breaker and an overcurrent cut out are fitted.

When requested, connect the automation to an effective earthing system carried out as indicated by current safety regulations.

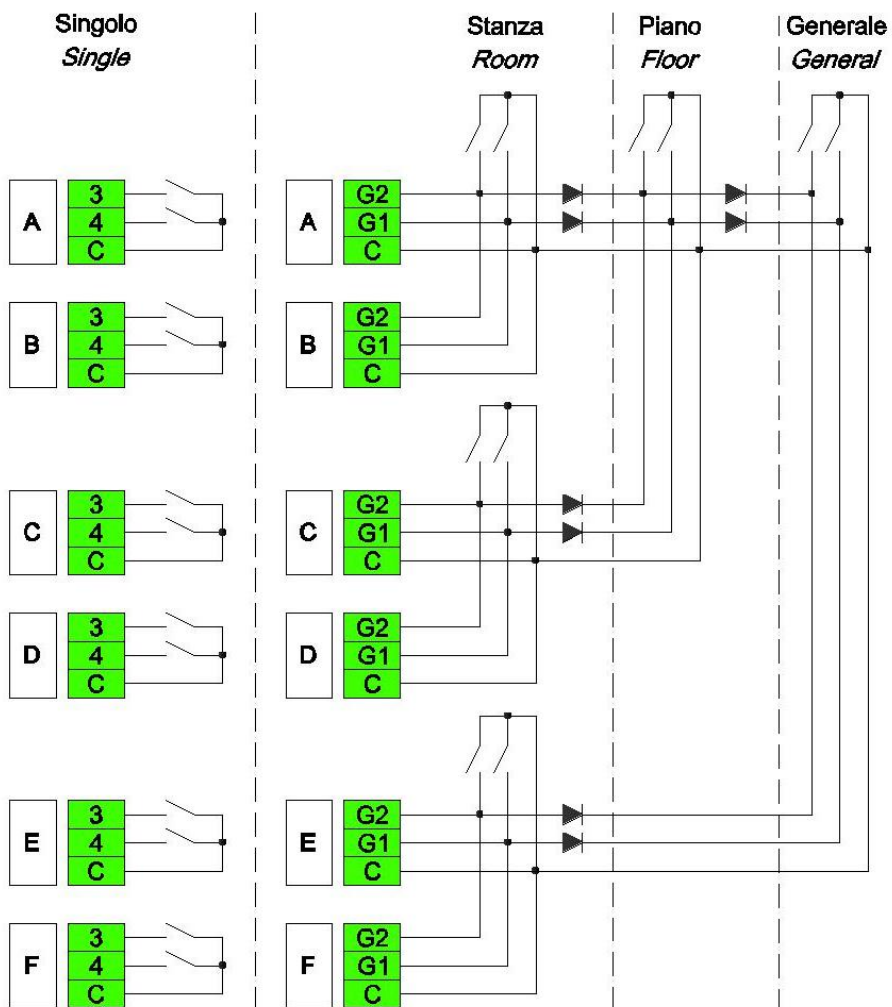
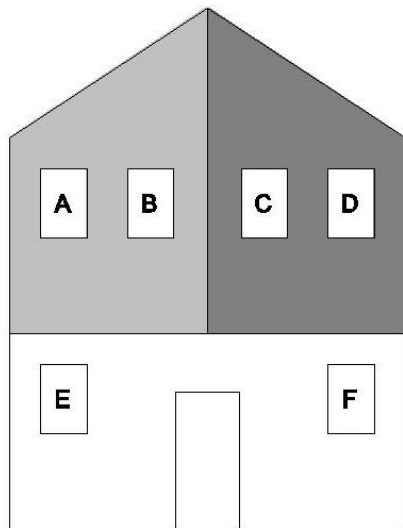
The connection to the mains supply in the outer portion automation, should be an independent channel, separated from the connections to control devices. Make sure there are no sharp edges that could damage the power supply cable..

During installation, maintenance and repair operations, cut off the power supply before opening the cover to access the electrical parts.

To handle electronic parts, wear earthed antistatic conductive bracelets. FACE declines all responsibility in the event of components which are not compatible with the safe and correct operation of the product.

For repairs or replacements of products only original spare parts must be used.

5.2 SINGLE AND CENTRALIZED MULTILEVEL COMMANDS



6. TROUBLESHOOTING

| Problem | Possible causes | Remedy |
|---|---|--|
| The automation does not open or close. | No power supply. | Check the power supply. |
| | The leaf is locked by bolts and locks. | Check the freely move of the leaves. |
| The automation opens but does not close, or closes but does not open. | The opening or closing devices are activated. | Check for centralized controls connected to the G1/G2 terminals. |

7. ROUTINE MAINTENANCE PLAN

Except for routine cleaning of the door and any outer slides automation, the responsibility of the owner, all maintenance and repair work must be carried out by qualified personnel.

| Task | Frequency |
|--|-----------------|
| Remove the power supply, open the automation and perform the following checks and adjustments. - Check all screws fastening of components within the automation. - Check the wear of the hinges of the leaf and articulated arms. - Grease the pivot inside the sliding guide. - Check the electrical connections. | Every 6 months. |
| Connect the power supply and perform the following checks and adjustments. - Check the correct operation of the automation and the proper handling of the leaves | Every 6 months. |

For repairs or replacements of products, original spare parts must be used.

7.1 DISPOSAL OF PRODUCTS



The packaging materials (cardboard, plastic, and so on) should be disposed of as solid household waste, and simply separated from other waste for recycling.

Our products are made of various materials. Most of these (aluminum, plastic, iron, electrical cables) are classified as solid household waste. They can be recycled by separating them before dumping at authorized city plants.

Whereas other components (control boards, batteries, and so on) may contain hazardous pollutants.

These must therefore be disposed of by authorized, certified professional services.

Before disposing, it is always advisable to check with the specific laws that apply in your area.

DO NOT DISPOSE IN THE ENVIRONMENT.

FACE S.r.l.

Viale delle Industrie, 74 - 31030 Dosson di Casier (TV) – Italy

Fax +39 0422 380414 \ Phone +39 0422 492730

E-mail: info@facespa.it \ www.facespa.it

